

The Seven Trumpets

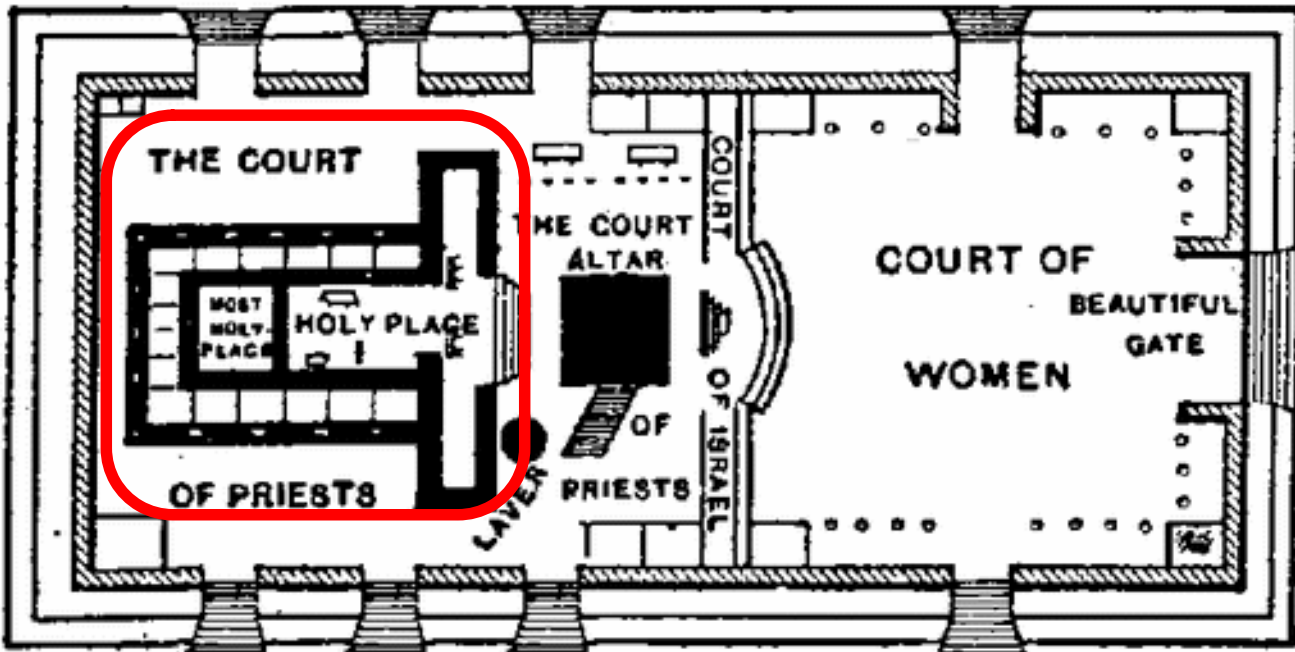
Rev 11:2-4

	Trumpets (Rev. 8–9)	Ten Plagues (Exod. 7–11)
	1. Earth hit with hail , fire, and blood, 1/3 of trees and all grass burned (8:7)	6. Boils (9:8–11) 7. Hail (9:13–34)
	2. 1/3 of sea turned to blood and 1/3 of sea creatures die (8:8–9)	(Burning mountain, Jer 51:24-25) 1. Blood (7:14–21)
	3. 1/3 of fresh waters embittered by Wormwood (8:11)	(Falling star, 6:13) 1. Blood (7:14–21)
	4. 1/3 of sun , moon, and stars darkened (8:12)	(Sun & moon, 6:12) 9. Darkness (10:21–23)
Woes 1, 2	5. Scorpion-Locusts released on earth after Abyss is opened (9:1–11)	(Falling star, 6:13; Locusts, Joel) 8. Locusts (10:3–19)
	6. 200 million troops at Euphrates River released by 4 angels (9:13–16); serpent-horses ; 1/3 of people killed	2. Frogs (8:2–14)
Interlude: Little Book (ch. 10), True vs. False Witnesses (ch. 11)		
Woe 3	7. Heavenly temple opens, with lightning, earthquake, and hail (11:15, 19)	7. Hail (9:18–34)

Revelation 11: True vs. Counterfeit Church

Image	OT Source	In Revelation	Perspective
Divinely ordained temple	Ezek 8, 40-43	3:12 believers as pillars	The Lord's purpose
Divinely empowered candlestick	Zech 4	1:20 churches as candlesticks	Satan's opposition

Ezekiel: The Measured Temple



<http://www.templemount.org/image21.gif> (originally from Edersheim, The Temple and its Services, Religious Tract Society edition)

Zechariah: Candlesticks



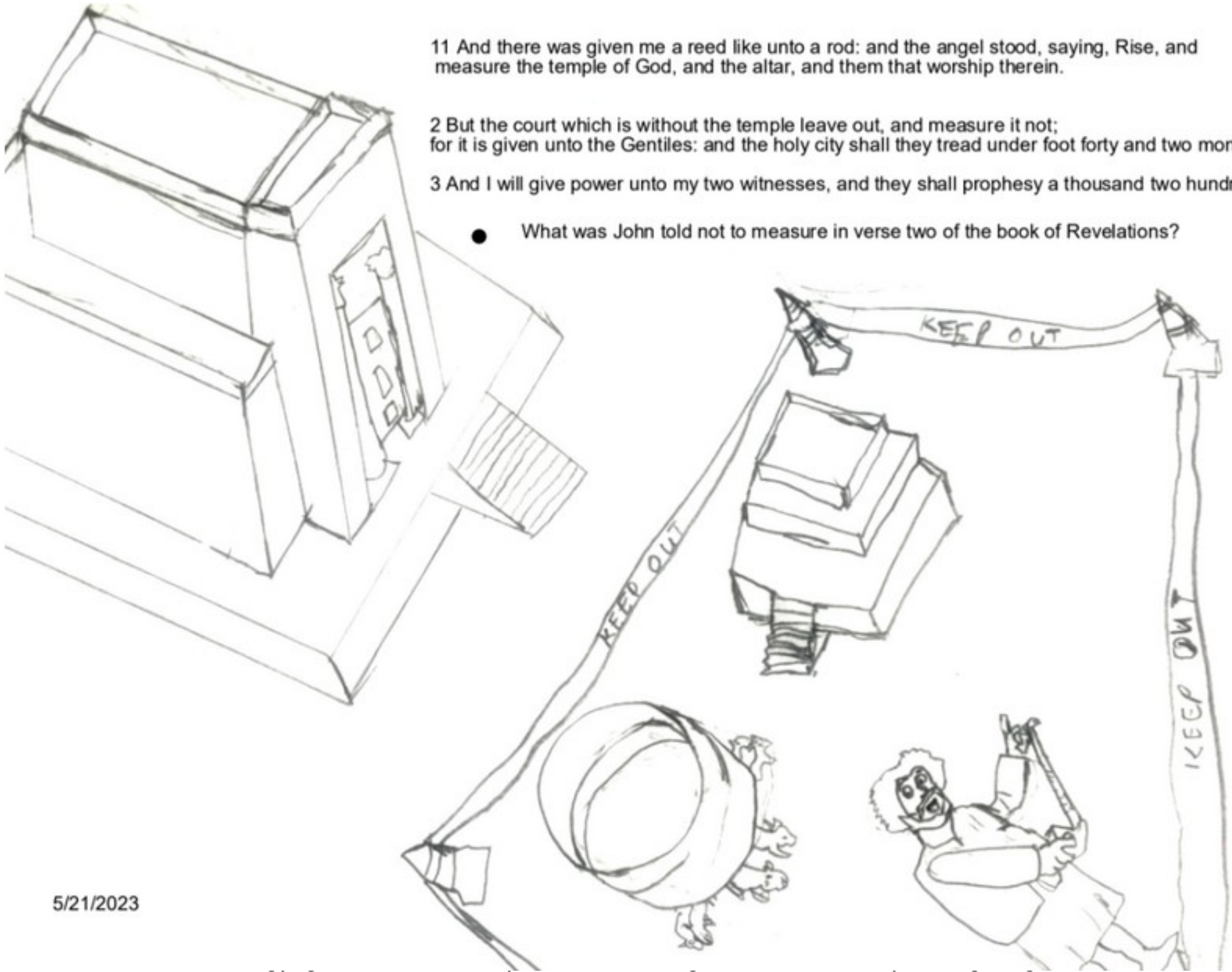
<https://torahsparks.files.wordpress.com/2016/06/zechariah-4-image-11.png>

11 And there was given me a reed like unto a rod: and the angel stood, saying, Rise, and measure the temple of God, and the altar, and them that worship therein.

2 But the court which is without the temple leave out, and measure it not; for it is given unto the Gentiles: and the holy city shall they tread under foot forty and two months.

3 And I will give power unto my two witnesses, and they shall prophesy a thousand two hundred

- What was John told not to measure in verse two of the book of Revelations?



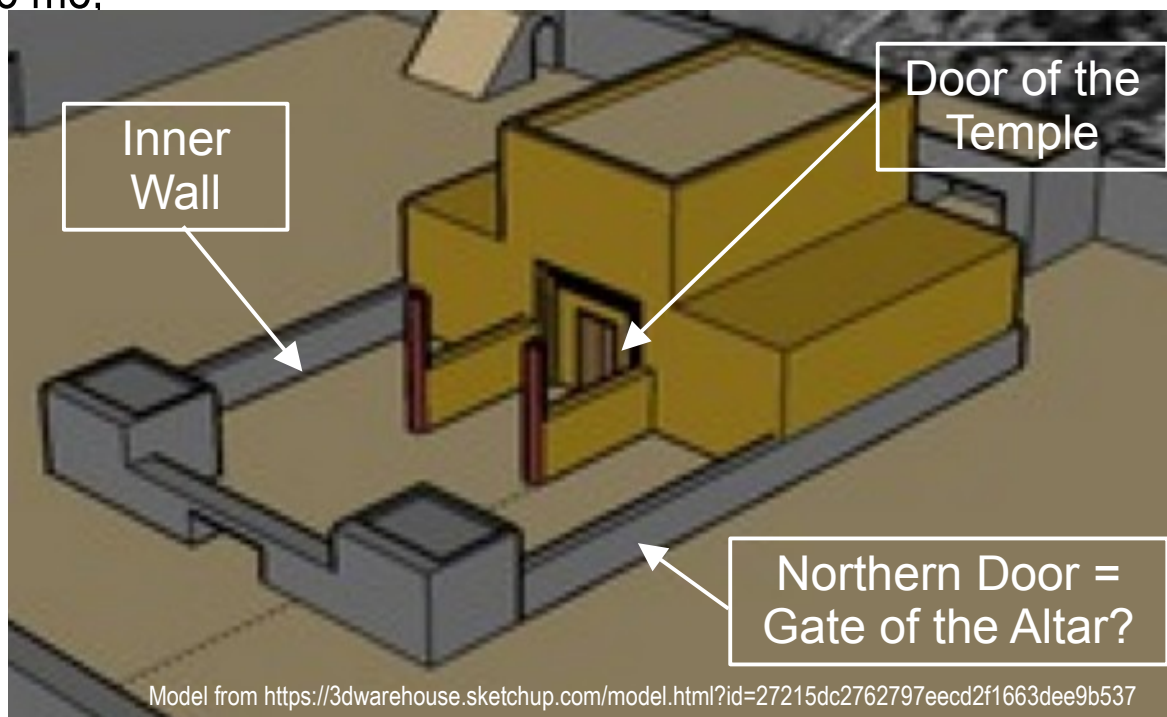
Ezekiel 8, the Son of Man sees the defiled temple

Eze 8:5 behold northward at the **gate of the altar** this **image of jealousy** in the entry. 6 He said furthermore unto me, **Son of man**, seest thou what they do? ... but turn thee yet again, **and thou shalt see greater abominations**. ...

10 So I went in and saw; and behold **every form of creeping things, and abominable beasts, and all the idols** of the house of Israel, pourtrayed **upon the wall** round about. 12 Then said he unto me, **Son of man**, hast thou seen what the ancients of the house of Israel do in the dark,... 13 He said also unto me, Turn thee yet again, **and thou shalt see greater abominations** that they do.

14 Then he brought me to **the door of the gate of the LORD'S house which was toward the north**; and, behold, there sat **women weeping for Tammuz**. 15 Then said he unto me, Hast thou seen *this*, O **son of man**? turn thee yet again, **and thou shalt see greater abominations** than these.

16 And he brought me into **the inner court** of the LORD'S house, and, behold, **at the door of the temple** of the LORD, between the porch and the altar, *were* about five and twenty men, with their backs toward the temple of the LORD, and their faces toward the east; and **they worshipped the sun** toward the east. 17 Then he said unto me, **Hast thou seen this, O son of man?**



Trodden for a Time

2 ... tread under foot

[Antiochus:] Dan. 8:13 How long shall the vision continue even the removal of the sacrifice, and the bringing in of the sin of desolation; and how long shall the sanctuary and host be **trampled**? 14 And he said unto me, Unto two thousand and three hundred days; then shall the sanctuary be cleansed.

[Titus:] Luk 21:24 ... Jerusalem shall be **trodden down of the Gentiles**, until the times of the Gentiles be fulfilled.

Bounded Time

Dan 7:25 And he shall speak great words against the most High, and shall wear out the saints of the most High, and think to change times and laws: and they shall be given into his hand until a **time and times and the dividing of time**. 26 But the judgment shall sit, and they shall take away his dominion, to consume and to destroy it unto the end.

Dan. 12:7 And I heard the man clothed in linen, which was upon the waters of the river, when he held up his right hand and his left hand unto heaven, and swore by him that liveth for ever that it shall be for a **time, times, and an half**; and when he shall have accomplished to scatter the power of the holy people, all these things shall be finished. ... 11 And from the time that the daily sacrifice shall be taken away, and the abomination that maketh desolate set up, there shall be a **thousand two hundred and ninety days**. 12 Blessed is he that waiteth, and cometh to the **thousand three hundred and five and thirty days**.

Rev. 12:6 And the woman fled into the wilderness, where she hath a place prepared of God, that they should feed her there a **thousand two hundred and threescore days**.

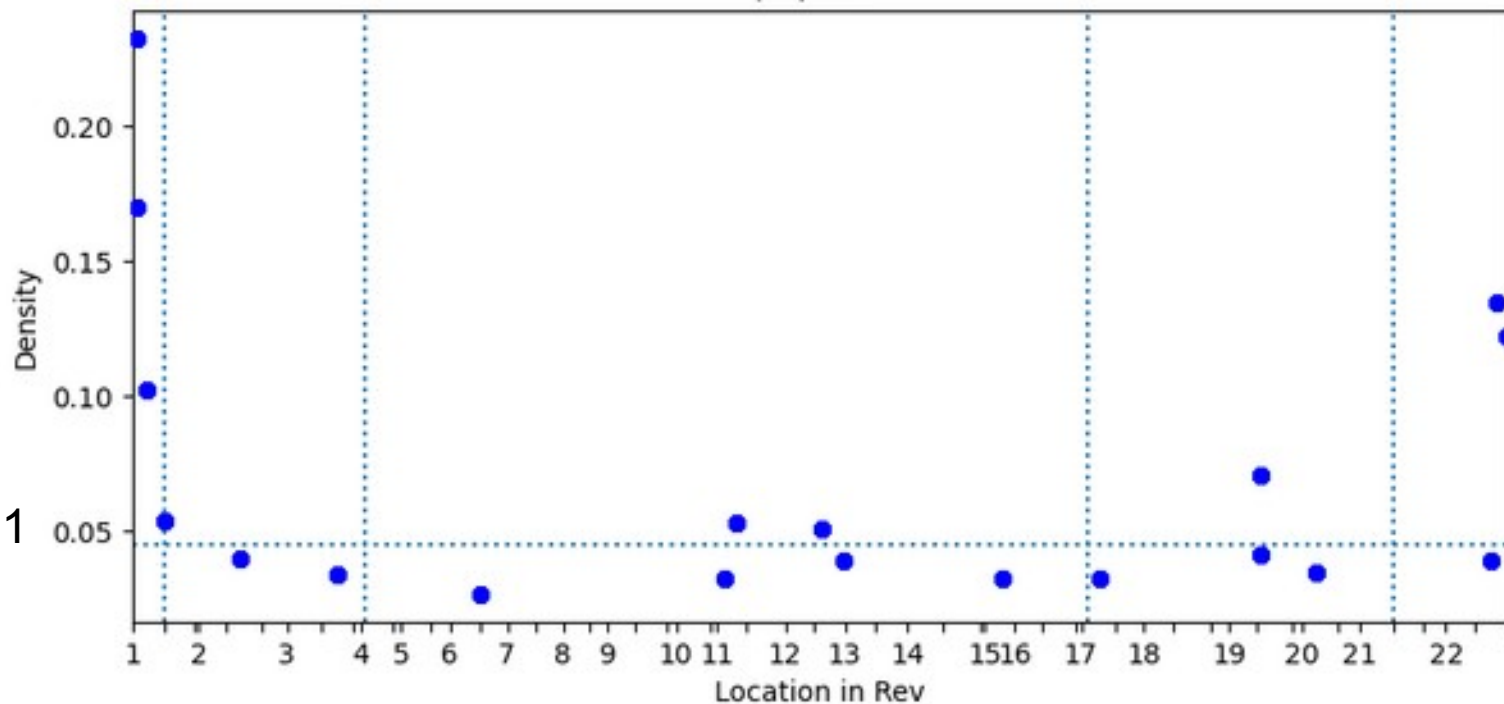
Rev. 13:5 And there was given unto him a mouth speaking great things and blasphemies; and power was given unto him to continue **forty and two months**.

God's Witnesses

Rev. 1:2 Who **bare record** μαρτυρέω G3140 of the word of God, and of the **testimony** μαρτυρία G3141 of Jesus Christ, and of all things that he saw.

Rev. 1:5 And from Jesus Christ, who is the faithful **witness** μάρτυς G3144, and the first begotten of the dead, and the prince of the kings of the earth.

Rev. 1:9 I John, who also am your brother, and companion in tribulation, and in the kingdom and patience of Jesus Christ, was in the isle that is called Patmos, for the word of God, and for the **testimony** of Jesus Christ.



Rev. 22:16 I Jesus have sent mine angel to **testify** μαρτυρέω unto you these things in the churches. I am the root and the offspring of David, and the bright and morning star.

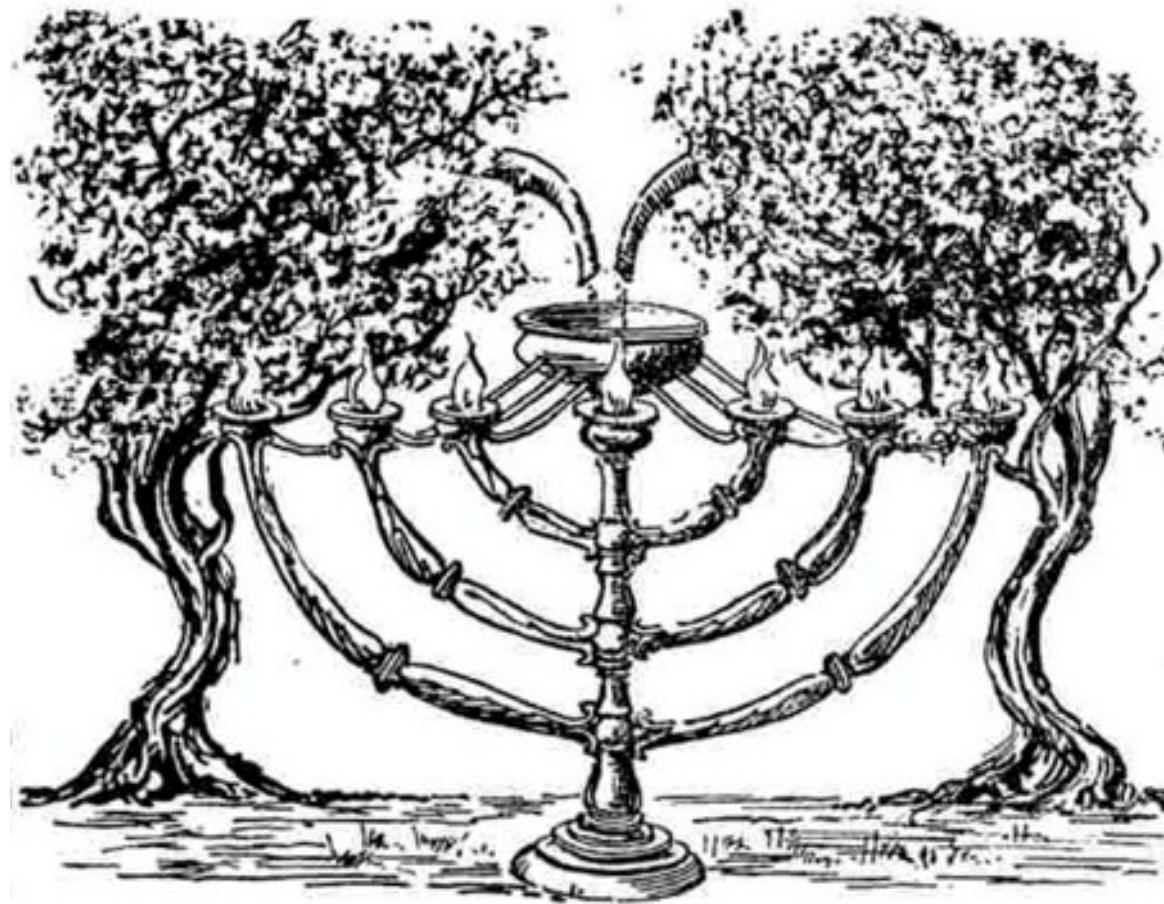
Rev. 22:18 For I **testify** unto every man that heareth the words of the prophecy of this book, If any man shall add unto these things, God shall add unto him the plagues that are written in this book:

Rev. 22:20 He which **testifieth** these things saith, Surely I come quickly. Amen. Even so, come, Lord Jesus.

John 3:11 Verily, verily, I say unto thee, We speak that we do know, and **testify** that we have seen; and ye receive not our **witness**. 12 If I have told you earthly things, and ye believe not, how shall ye believe, if I tell you of heavenly things? 13 And no man hath ascended up to heaven, but he that came down from heaven, even the Son of man which is in heaven.

Zechariah 4

Zech. 4:1 And the angel that talked with me came again, and waked me, as a man that is wakened out of his sleep, 2 And said unto me, What seest thou? And I said, I have looked, and behold a candlestick all of gold, with a bowl upon the top of it, and his seven lamps thereon, and seven pipes to the seven lamps, which are upon the top thereof: 3 And two olive trees by it, one upon the right side of the bowl, and the other upon the left side thereof. ... 11 Then answered I, and said unto him, What are these two olive trees upon the right side of the candlestick and upon the left side thereof?



12 And I answered again, and said unto him, What be these two olive branches which through the two golden pipes empty the golden oil out of themselves? 13 And he answered me and said, Knowest thou not what these be? And I said, No, my lord. 14 Then said he, These are the two anointed ones, that stand by the Lord of the whole earth.

<https://torahsparks.files.wordpress.com/2016/06/zechariah-4-image-11.png>

Joshua, Zerubbabel, and their Adversaries

Ezr 3:2 Then stood up **Jeshua** the son of Jozadak, and his brethren the priests, and **Zerubbabel** the son of Shealtiel, and his brethren, and builded the altar of the God of Israel, ...

Ezra 4:1 Now when the adversaries of Judah and Benjamin heard that the children of the captivity builded the temple unto the LORD God of Israel; 2 Then they came to **Zerubbabel**, and to the chief of the fathers, and said unto them, Let us build with you: for we seek your God, as ye do; and we do sacrifice unto him since the days of Esarhaddon king of Assur, which brought us up hither.



Ezra 4:3 But **Zerubbabel**, and **Jeshua**, and the rest of the chief of the fathers of Israel, said unto them, Ye have nothing to do with us to build an house unto our God; but we ourselves together will build unto the LORD God of Israel, ... 4 Then the people of the land weakened the hands of the people of Judah, and troubled them in building,

Hag 1:12 Then **Zerubbabel** the son of Shealtiel, and **Joshua** the son of Josedech, the high priest, with all the remnant of the people, obeyed the voice of the LORD their God, and the words of **Haggai the prophet**, as the LORD their God had sent him, ...

Ezr 5:2 Then rose up Zerubbabel the son of Shealtiel, and Jeshua the son of Jozadak, and began to build the house of God which is at Jerusalem: and with them were **the prophets of God** helping them.

2 Ki 17:24 And the king of Assyria brought men from Babylon, and from Cuthah, and from Ava, and from Hamath, and from Sepharvaim, and placed them in the cities of Samaria instead of the children of Israel: ... 25 And so it was at the beginning of their dwelling there, that they feared not the LORD: therefore the LORD sent lions among them, which slew some of them. 26 Wherefore they spake to the king of Assyria, saying, The nations which thou hast removed, and placed in the cities of Samaria, know not the manner of the God of the land: ... 27 Then the king of Assyria commanded, saying, Carry thither one of the priests whom ye brought from thence; and let them go and dwell there, ... 28 Then one of the priests whom they had carried away from Samaria came and dwelt in Bethel, and taught them how they should fear the LORD. 29 Howbeit every nation made gods of their own, and put them in the houses of the high places which the Samaritans had made, every nation in their cities wherein they dwelt. ... 32 So they feared the LORD, and made unto themselves of the lowest of them priests of the high places, which sacrificed for them in the houses of the high places. 33 They feared the LORD, and served their own gods, after the manner of the nations whom they carried away from thence.